

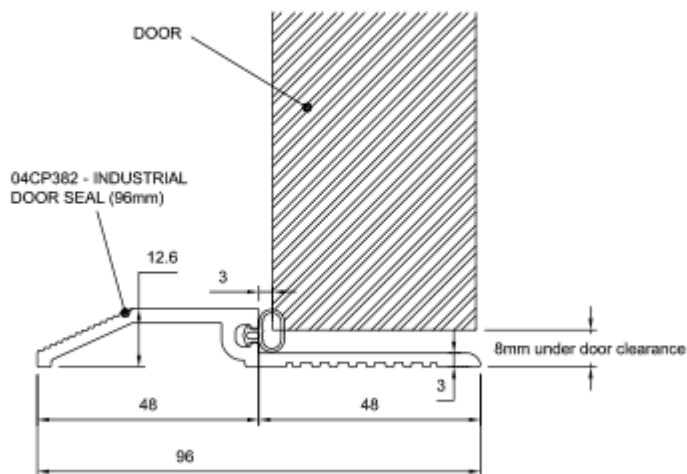
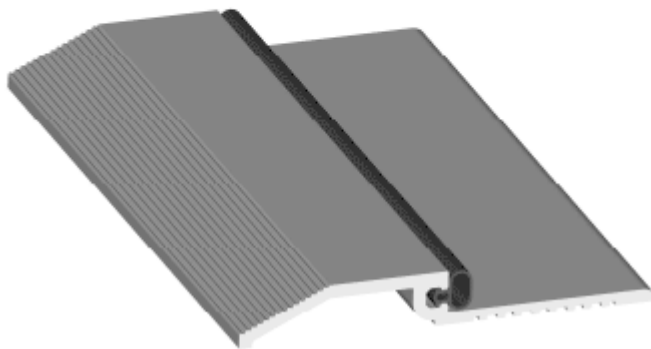
Personnel Doorsets – Threshold Options

Standard 96mm threshold with rebate:

INDUSTRIAL DOOR THRESHOLDS

Scale 1:1 | INDUSTRIAL DOOR THRESHOLD (96MM)

Code: 04CP382



Optional:

INDUSTRIAL DOOR THRESHOLDS

Scale 1:1 | INDUSTRIAL DOOR PLATE

Code: 04CP193

AVAILABLE IN MILL FINISH ALUMINIUM UP TO 3000MM

USE WITH A BOTTOM DOOR BRUSH OR RUBBER SEAL FOR EFFECTIVE RAIN AND DRAUGHT EXCLUSION.

